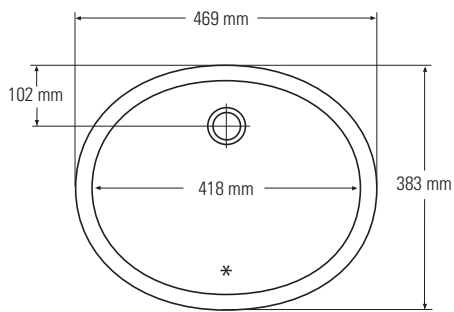


BOWLS

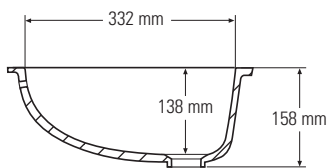
810



Top view
* overflow



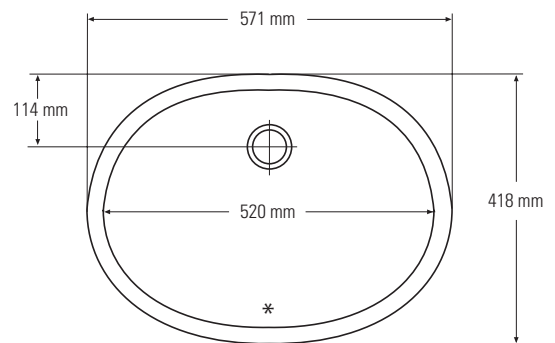
Side cross-section



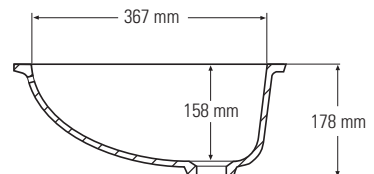
815



Top view
* overflow



Side cross-section

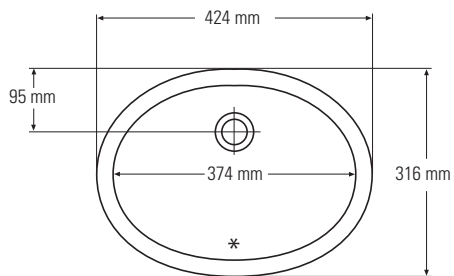


BOWLS

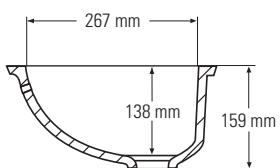
820



Top view
* overflow



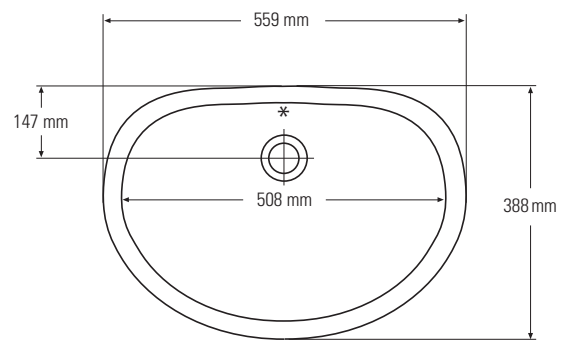
Side cross-section



831



Top view
* overflow



Side cross-section

